



After the reset, the control unit carries out only opening commands until the door is fully opened.  
After the complete opening, the functioning of the commands is standard.

#### 4- Dip-switch function

Dip1:



OFF

The closing movement is in dead man mode, during the opening it is automatic (even if the automatic reclosing is excluded)



ON

The opening and closing movement is automatic.

Dip2:



ON

Activation of automatic reclosing\*\*



OFF

Deactivation of automatic reclosing

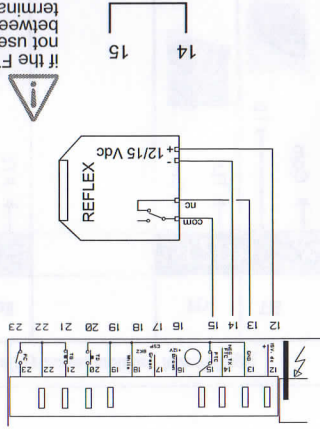
\*\*The automatic reclosing is activated only if the door is fully open to the limit switch.  
After passing the photocell the door closes (after 3 sec.).

Warning: The installed safety device must ensure the safety of the door according to EN13241-1 (EN12453, EN12445)

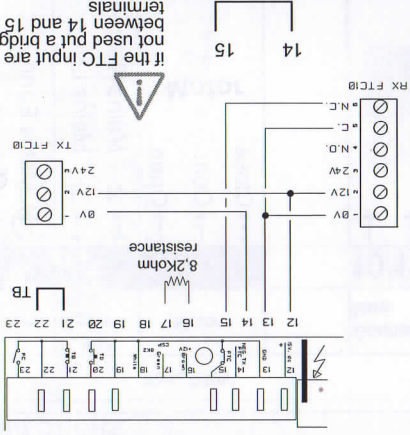
If TB stop NC contact is not used it must be jumpered.

If the FTC input NC is not used it must be jumpered to 14 terminal

#### Connections with reflex



#### Connections with photocells



### 3- Technical specifications

Reception frequency	868,3 MHz
Sensitivity (finely tuned signal)	1 µV
Power supply	240 V ~
Operating temperature range	-20° - +50°C
Maximum power at the motor:	250 V ~
Voltage	400 W
Maximum commutable power	240 V ~ 300 W
at output courtesy lamp	

The correct installation and connection of the antenna is fundamental in order to obtain a good action ray for the installation.  
Connect the provided 8.5 cm piece of wire to the antenna pole connection on the device.  
As an alternative (and for better results) use a tuned antenna connected to the receiver via coaxial cable RG58 (impedance 50ohm) with a maximum length of 15 metres (mod. ANT868)

### Antenna

**5.0- To memorize the transmitters from the receiver**

**Transmitters**  
The transmitters are encoded in the factory and each transmitter has its own unique code.  
Caution! If you keep a channel button pressed down for more than 30 seconds the transmitter will automatically turn off.  
The receiver is compatible with all transmitters of the TVLink range: TVTXV, TVTXP, TVTXE, TVTXC, TVTXI, TVTXK, TVTXQ, TVTXL, TVTXS.

The transmitter code can be inserted (memorized) or deleted directly in the receiver or via radio from the transmitter. This last possibility allows to insert new transmitters into an existing installation, without acting directly on the receiver. This may be carried out easily by the end user without the help of the installer, and guaranteeing the total secrecy of the code.  
- The codes transmission type is "Rolling-code". The code is changed for every transmission through the use of an algorithm that only the receiver is able to recognize and therefore to decide if the transmitted code corresponds to the original code.  
- In the receiver the user code is memorized under Eeprom, which maintains the code information even when faced with blackouts (max. 42 code-memorizations).  
It is adjustable to delete the whole memory before each installation.

**Errors during the memorizing**  
If the code is not memorized it could be due to the following conditions:

- The code already exists in memory
- The memory is full (max. 42 codes). In this case the Buzzer will make 3 beeps both during the memorization phase both after the reset of the receiver.

**Transmitter behaviour according to battery status:**



**5.1- Possibility to memorize the transmitter in three ways:**

**1 - Mode 1:** Single channels with dynamic function, open, stop, close

**2 - Mode 2:** Control from two channels ch1 with ch2, ch3 with ch4 and ch5 with ch6 and ch7.

**3- Mode 3:** the memorised channel operates on the courtesy light in on/off mode.

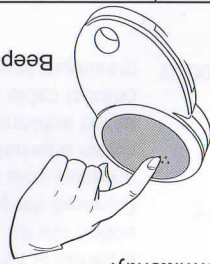
**5.1.1- Mode 1: single push-button**

The memorization of the channels is carried out in single mode for each channel; the memorised channel will activate the controls in dynamic mode for open, stop, close.

**Press and hold** the push button P1, the buzzer B1 will make 1 beep and sound continuously.



Beep Beep Beep Beep

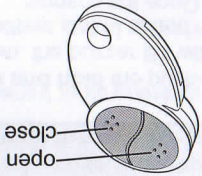


Transmit the channel which is to be memorized, the buzzer B1 will sound intermittently.



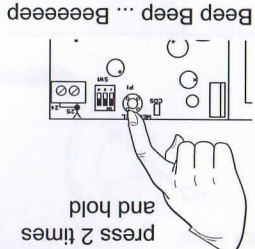
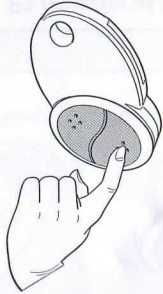
**5.1.2- Mode 2:**

The memorization of the channels is done in pairs: channel 1 with channel 2 (or vice versa) and channel 3 with channel 4 (and vice versa) and channels 5-6-7.



**Press twice and hold** the push button P1 down, the buzzer B1 will make two beeps and sound continuously.

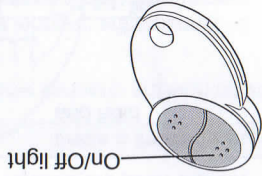
Transmit one of the channel which is to be memorized, the buzzer B1 will sound intermittently.



Beep Beep Beep Beep

**5.1.3- Mode 3**

The memorization of the channels is carried out in single mode for each channel, the memorised channel will turn on and turn off the courtesy light in dynamic mode.

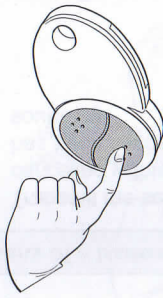


**Press three times and hold** the push button P1 down, the buzzer B1 will make three beeps and sound continuously.

press 3 times and hold



Beep Beep Beep ... Beeeeep



Beep Beep Beep Beep





**1- GENERAL DESCRIPTION**

Electronic for the remote control of tubular motors for roller blinds, rolling shutters, doors with limit switch inside or outside the motor, radio receiver section with transmitter channel memorization by means of internal push button or via radio.  
Possibility to connect wired with auto-test control before every closing movement.  
Possibility to connect a 240 V ~ courtesy lamp with variable time from 1 min. to 12 hours (default 1 min.).  
Plastic housing for external use equipped with clamps.  
Possibility of centralized controls for simultaneous control of several appliances.  
Possibility to connect external mechanical controls with dynamic push button function and blockage push button.

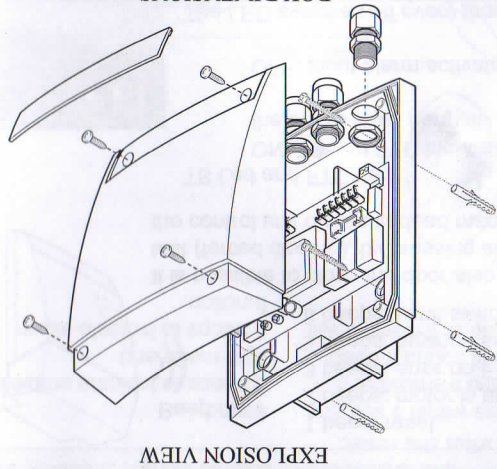
**2- CONNECTIONS**

Zone 240V		Safety zone, isolated low voltage	
Ground	1	⊕	
Power supply 240V	2	⊕	
Mains Earth	3	L	Com
Mains Live	4	N	TB
Motor	5	Close	
	6	Com	
	7	Open	
Courtesy lamp	10	↑	
Reflex photocell	11	↑	
	12	FTC	
	13	neg tx FTC	
	14	Com	
	15	+ 12V	
	19	Com	
	20	TD	
	21	Com	
	22	TB	

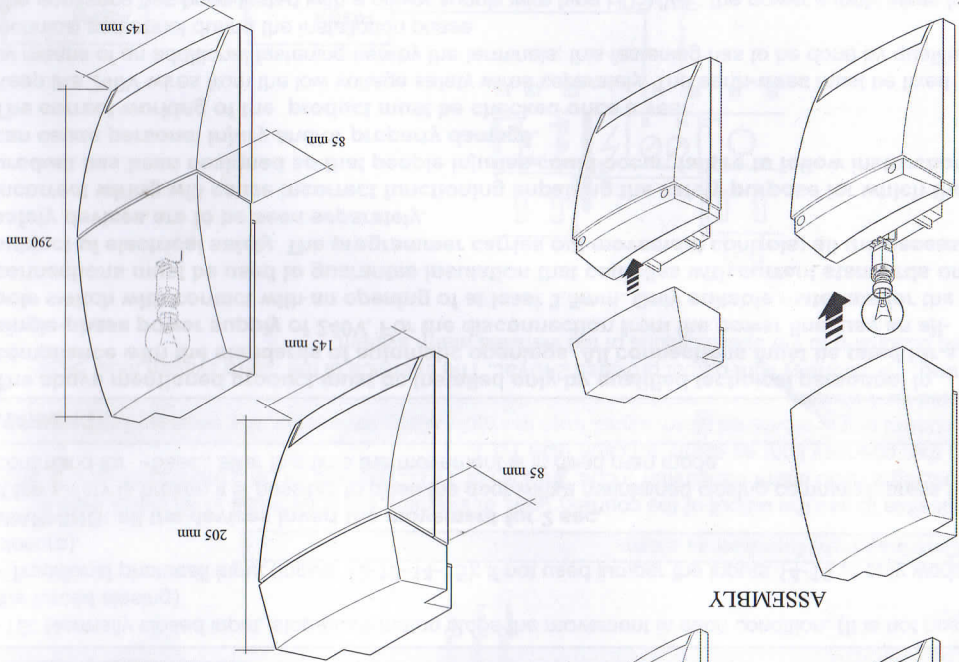
**Description of the connections:**

- 1 Input ground general power supply
- 2 Input ground motor
- 3 Input general power supply 240 V ~ phase
- 4 Input general power supply 240 V ~ neutral
- 5 Opening output relay motor contact
- 6 Output 240 V ~ neutral by means of fuse (common motor)
- 7 Closing output relay motor contact
- 10-11 Output LC 240 V ~ 300 W max. for courtesy lamp
- 12 Positive output 12/15Vdc 80mA (only for the version with courtesy light)
- 13 Safety common contact for photocells
- 14 Negative output for photocells (auto-test)
- 15 FTC input (NC normally closed)
- 19 Push buttons common for TD
- 20 Dynamic push-button input (NO normally open)
- 21 Stop push-button TB (NC normally closed)
- 22 Push buttons common for TB
- 24 Antenna ground
- 25 Antenna pole (wire 8.5cm)

Code Number:	Series	Model number	Draft	Date
	TVLink RS868	TVPRP868F08E	T574.01	25/11/13



EXPLOSION VIEW



ASSEMBLY

DISASSEMBLY

BOX DIMENSIONS

