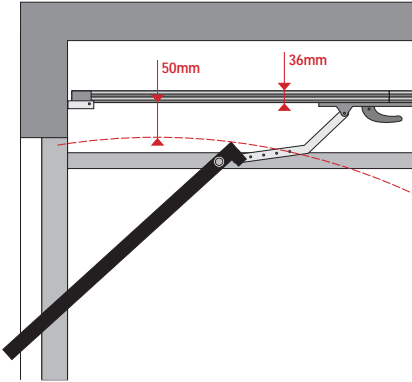


Programmation tips

AXORN 50

AXORN 70

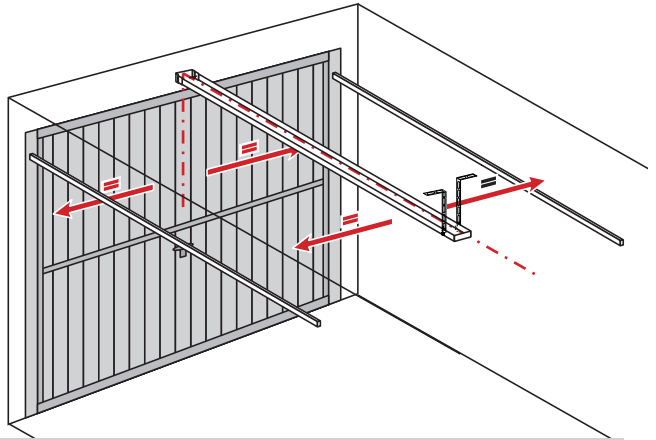
AXORN 90



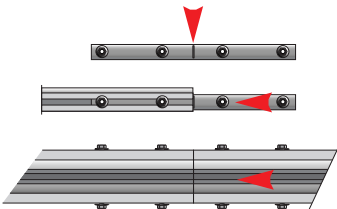
Assembly the lintel attachment lug.

Add 50 mm above the highest point on the door travel.

Centred the lug relative to the center of the door.



Assembly



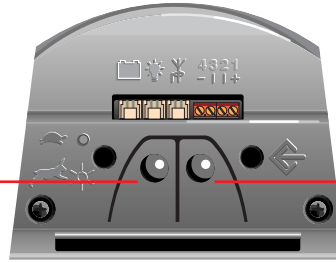
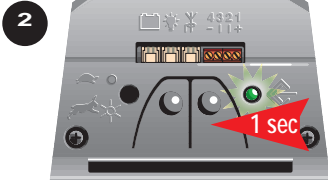
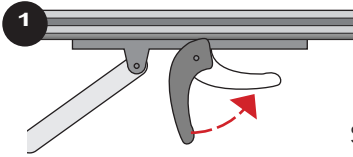
The rail is delivered with a chain tension that has been pre-set at the factory. Don't touch this tension.

Check that the rails join correctly. Note the marking (center) on the assembly bars.

1

Adjustment

Move the trolley towards the handle by this method :




Speed push-button

Adjustment push-button

The adjustment indicator is on when you put on the AXORN

1 Lock the handle

2 Press the adjustment push button the adjustment indicator flashes.

3 Press and hold the speed push-button ( change of direction with each push) The mobile trolley moves towards the doors and automatically clips onto the handle.

4 Press the adjustment push-button again to finish the adjustment process. the door is in the closed position

2

Memorising remote control buttons



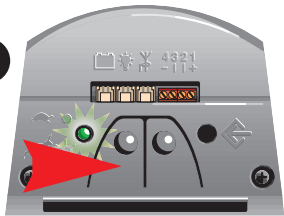
1 Press and hold the remote control button the press the adjustment push-button briefly to memorise the remote control buttons.

→ It is possible to memorise either one or two keys per remote control unit : one to operate the garage door and the other for the light.



When the remote control is memorised, don't move the garage door.

1



! The garage door must be closed to make the self-learning

Choice of the speed

Press the speed push-button.

Recommendations :

1 Fast speed recommended to doors in sections (light on)

2 Slow speed recommended to overhanging door (light off)

2



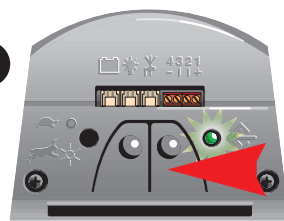
Self learning phase

1 Press the adjustment push-button The adjustment indicator flashes

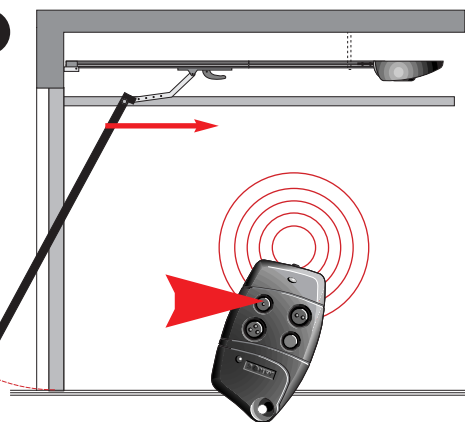
2 Press the remote control button The door opens to memorise the travel to open fully

3 Press the remote control button The door closes to memorise the travel to close.

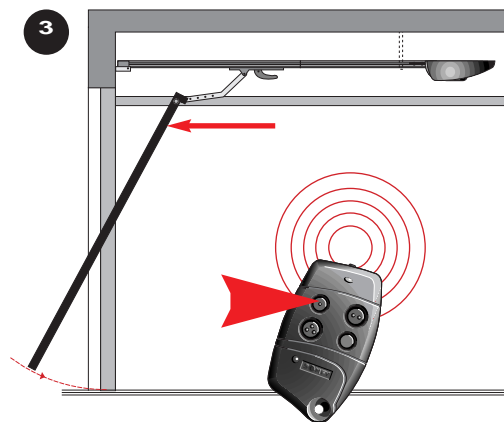
1



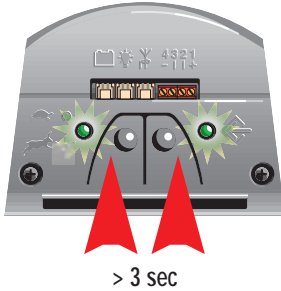
2



3



! Waiting the **fully closed** of the door
If the closing is not total, make the self learning again.



Erasing the memorised remote control units

Hold down the adjustment and speed buttons simultaneously for more than 3 seconds.

The indicators will flash to indicate that the command has been taken into account, then go out after erasing.

Memorising remote control

Make the memorising remote control button. The motor control button must be the same for the other remote control units.

SOMFY®